

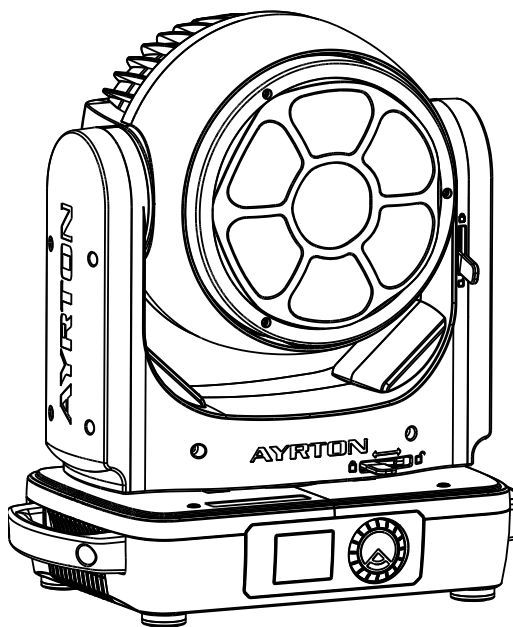
USER MANUAL

ENGLISH - VERSION 131

Upd. 13/04/2026

zonda³

FX



AYRTON

Digital Lighting



2 Rue de Vitruve,
91140 Villebon-sur-Yvette,
France

CONTENTS

1. SAFETY INSTRUCTIONS	3
2. FEATURES	3
3. FIXTURE OVERVIEW	4
4. DRAWINGS	4
5. INSTALLATION INSTRUCTIONS	5
6. DMX-512 CONTROL CONNECTION	5
7. DMX-512 CONNECTION WITH DMX TERMINATOR	5
8. DEVICE DMX START ADDRESS SELECTION	6
9. OPERATING INSTRUCTIONS OF THE INTERNAL DMX WIRELESS SYSTEM	6
10. DISPLAY	6
11. NFC	10
12. DMX PROTOCOL	10
13. ERROR MESSAGES	10
14. CLEANING AND MAINTENANCE	10

Keep this manual for future needs.

Errors and omissions for all information given in this user manual are possible.
All information is subject to change without prior notice.



1. SAFETY INSTRUCTIONS

1.1 > IMPORTANT SAFETY WARNINGS

This device has left the factory in perfect condition. In order to maintain this condition and to ensure safe operation, it is absolutely necessary for the user to follow the safety instructions and warning notes written in this user manual.

In order to install, operate and maintain the lighting fixture safely and correctly we suggest that the installation and operation be carried out by qualified technicians and these instructions be carefully followed.

CAUTION



High voltage. Risk of severe or fatal electric shock.



Always disconnect mains supply before removing any fixture covers.



Never look directly into the light source. Sensitive persons may suffer an epileptic shock.



Blue light hazard: risk group 2.



Never touch the device during operation. covers may be hot.

Warning: Changes or modifications to this unit not expressly approved by the party responsible for compliance could void the user's authority to operate the equipment.

Note: This equipment has been tested and found to comply with the limits for a class A digital device, pursuant to part 15 of the FCC rules. These limits are designed to provide reasonable protection against harmful interference when the equipment is operated in a commercial environment. This equipment generates, uses and can radiate radio frequency energy and, if not installed and used in accordance with the instruction manual, may cause harmful interference to radio communications. Operation of this equipment in a residential area is likely to cause harmful interference in which case the user will be required to correct the interference at his own expense.



Damage caused by the disregard of this user manual is not subject to warranty. The dealer and manufacturer will not accept liability for any resulting defects or problems.

- If the device has been exposed to temperature changes due to environmental conditions, do not power on immediately. The resulting condensation could damage the device. Leave the device powered off until it has reached room temperature.
- This device falls under protection-class I. Therefore, it is essential that the device be earthed.
- If either lenses or display are damaged (damage may include cracks or gashes in the material) they must be replaced.
- Electrical connections, such as replacing the power plug, must be performed by a qualified person.
- Make sure that the available voltage is not higher than that which

is stated in this manual.

- Make sure the power cord is never crushed or damaged by sharp edges. If this should be the case, replacement of the cable must be done by an authorized dealer.
- If the external flexible power cord of this device is damaged, it shall be exclusively replaced by the manufacturer or their service agent or a similar qualified person in order to avoid injury.
- When the device is not in use or before performing maintenance, always disconnect the device from the mains. Only handle the power cord from the plug. Never pull the plug out of a socket by tugging the power cord.
- When powered on for the first time, some smoke or smell may occur. This is caused by coating on metal parts when heated and is normal. If you are concerned, please contact your distributor.
- Do not focus the beam onto flammable surfaces. The minimum distance between the exiting lens of the device and the illuminated surface must be greater than 0.5 meters.

CAUTION

Please be aware that damage caused by any modifications to the device are not subject to warranty. Keep away from children and non-professionals.

1.2 > GENERAL GUIDELINES

- This device is a lighting effect for professional use on stages, in discotheques, theatres, etc. The device was designed for indoor and outdoor use.
- This fixture is only allowed to be operated within the maximum alternating current as stated in the technical specifications in section 2 of this manual.
- Handle the device with care avoid shaking or using force when installing or maintaining the device.
- If you use the quick lock cam when rigging the device, make sure the quick lock fasteners are located in the quick lock holes correctly and securely.
- Operate the device only after having familiarized yourself with its functions. Do not permit operation by persons not qualified for operating the device. Most damage is the result of unprofessional operation.
- Please use the original packaging if the device is to be transported.
- The applicable temperature for the device is between -10 °C to 45 °C. Do not use the device outside of this temperature range.
- The light source contained in this luminaire shall only be replaced by the manufacturer or his service agent or a similar qualified person.

CAUTION

For safety reasons, please be aware that all modifications to the device are forbidden. If this device is operated in any way different to the ones described in this manual, the product may suffer damage and the warranty becomes void. Furthermore, any other operation may lead to short-circuits, burns, electric shocks, etc.

2. FEATURES

POWER SUPPLY

- AC100-240 V~, 50/60 Hz
- Power Consumption: 400 W

OPTICS

- 2 elements 14:1 zoom high-resolution optic system
- Beam aperture: 4° to 56°
- Fast motorised linear zoom
- 7 truncated edges 50 mm frontal lenses
- 170 mm front lens cluster

LIGHT SOURCE

- LED:
- 7 pcs 4 in 1 RGBW LEDs

- 138 pcs MULTILED RGB
- Extremely long Life: >20,000 H

MOVEMENT

- Pan movement: 540 ° / 630 ° / 360 ° (16 bit)
- Tilt movement: 270 ° / 540 ° / 360 ° (16 bit)
- Pan and tilt automatic repositioning
- Range: Infinite pan and tilt rotation

COLOURS

- Excellent colour mixing and rainbow effect
- Sophisticated 4 colours RGBW mixed, reaching high Colour Rendering Index
- Uniform light beam with no colour shadows, and rich saturated and pastel colour-hues
- 4.29 billion colours (8-bit resolution)
- Virtual colour wheel, including most usuals white colour temperature presets

EFFECTS

- 2D & 3D graphical effects capabilities
- Effects can be coupled with beam, wash or matrix applications
- Built-in pattern effects with speed and fade controls for scenic applications
- Individual control of each pixels
- LiquidEffect™

DIMMER / STROBE

- Electronic dimmer from 0 to 100% without colour variation
- Strobe effect: 1 to 25 flashes per second

HARDWARE FEATURES

- Graphic LCD display for addressing and special functions settings, with flip function
- Clicking jog wheel to set functions
- Excess temperature protection
- Integrated wireless CRMX TiMo™ RDM receiver from LumenRadio™
- XLR 5 pin male and female connectors for DMX connection
- ethercon RJ45 IN / OUT connectors for ArtNet™ connection
- powerCON TRUE1 IN / OUT connectors for power connection
- Maximum Current available at the output: 16 A

CONTROL

- DMX 512 protocol, through DMX cable or wireless system
- DMX-RDM compatible
- Stand-alone mode and Master/Slave modes
- ArtNet™ & sACN protocol through Ethernet cable
- Local control panel, with LCD display
- Choice of 3 DMX modes (from 26 to 79 DMX channels)

COOLING SYSTEM

- Advanced cooling system
- Selectable ventilation user modes
- Excess temperature protection

HOUSING

- Skeleton made of aluminium and steel metal plates
- Base in die-cast aluminium
- Heatsinks in aluminium and copper
- Moulded covers ABS PC (VO class)
- 2-side handles for transportation
- 4 heavy-duty feet for better stability
- IP20 protection rating

INSTALLATION

- 2 Omega ¼ turn brackets
- 4 ¼ turn mounting points
- Safety cable attachment point

OPERATING PARAMETERS

- Maximum permitted: 45°C (113°F)
- Minimum permitted: -10°C (14°F)
- Minimum usage distance: 0.5 m (1.64 ft)

COMPLIANCE

- CE, UKCA, ETL

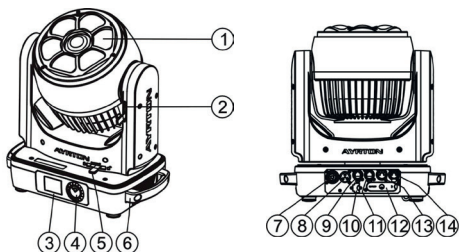
SIZE

- Product: 365 x 404 x 233 mm (l x h x d)
- Foam: 420 x 438 x 280 mm (l x h x d)

WEIGHT

- Product: 11.1 kg

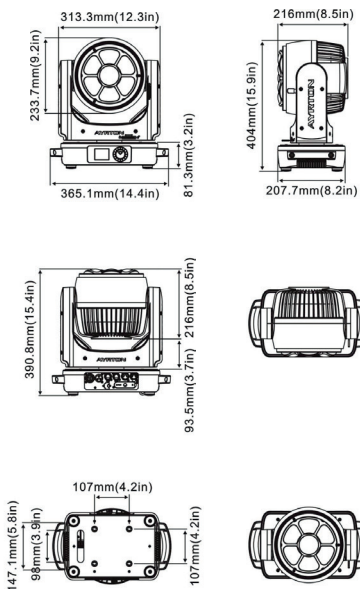
3. FIXTURE OVERVIEW



- | | | |
|--------------------|--------------|--------------|
| 1. Lenses Assembly | 6. Handle | 11. RJ45 Out |
| 2. Tilt Lock | 7. Power In | 12. Battery |
| 3. Display | 8. Power Out | 13. DMX In |
| 4. Jog Wheel | 9. RJ45 In | 14. DMX Out |
| 5. Pan Lock | 10. USB | |

4. DRAWINGS

4.1 > FIXTURE DIMENSION



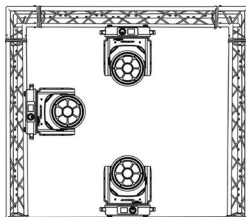
5. INSTALLATION INSTRUCTIONS

5.1 > RIGGING THE DEVICE

CAUTION

Please consider the respective national norms during the installation. The installation must only be carried out by a qualified person.

- The applicable temperature for the lighting is between -10°C to 45°C . Do not use the lighting under or above the temperature.
- The installation of the effect has to be built and constructed in a way that it can hold 10 times the weight for 1 hour without any harming deformation.
- The installation must always be secured with a secondary safety attachment, e.g. an appropriate safety rope.
- Never stand directly below the device when mounting, removing or servicing the fixture.
- The operator has to make sure the safety relating and machine technical installations are approved by an expert before taking the device into operation for the first time.
- These installations have to be approved by a skilled person once a year.
- Overhead mounting requires extensive experience, including amongst others calculating working load limits, installation material being used, and periodic safety inspection of all installation material and the device. If you lack these qualifications, do not attempt the installation yourself. Improper installation can result in bodily injury.



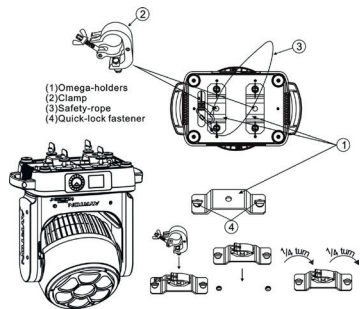
- Be sure this fixture is kept at least 0.1 m away from any flammable materials (decoration etc.).
- Always use and install a supplied safety cable as a safety measure to prevent accidental damage and/or injury in the event the clamp fails.
- **WARNING! Please DO NOT let other external intense lights to shine through the fixture front lens, it may cause significant internal damages!**
- When install fixture outdoor at day time (with power off), please make sure that the fixture front lens is NOT facing the sun.
- When use fixture outdoor at day time (with power on), please avoid fixture front lens facing the sun.
- When fixture is on standby outdoor at day time (with power ON and no DMX signal), please make sure the "sun protection" mode is ON (default).

5.2 > RIGGING USING THE OMEGA BRACKETS

CAUTION

This step is very important to ensure safe rigging of the fixture.

- Fix the clamp to the bracket by tightening the M12 nut and bolt to the bracket through the $\Phi 13$ hole in the middle of the bracket.
- Insert the quick lock fasteners of the first Omega holder into the respective holes on the bottom of the device. Tighten the quick lock fasteners fully clockwise.
- Install the second Omega holder.
- Pull the safety cable through the holes on the bottom of the base and over the trussing system or another suitable rigging point. Insert the end into the carabiner and tighten the safety screw.



1. Omega bracket
2. Clamp
3. Safety rope
4. Quick-lock fastener

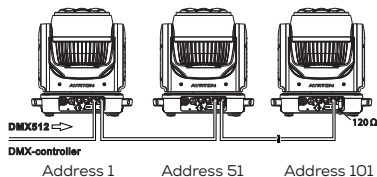
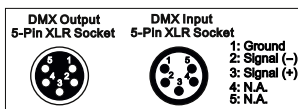
5.3 > RIGGING DRAWINGS

CAUTION

Overhead rigging requires extensive experience, including (but not limited to) calculating working load limits, specifying installation/rigging materials, and periodic safety inspection of all installation material as well as the device. If you lack these qualifications, do not attempt the rigging of this device yourself. Improper installation/rigging can result in serious bodily injury.

6. DMX-512 CONTROL CONNECTION

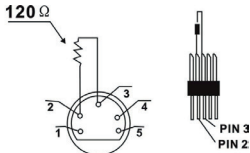
Connect the provided male side of the XLR cable to the female XLR output of your controller and the female side of the XLR cable to the male XLR input of the device. You can connect multiple devices together in a serial fashion. The cable needed should be two core, screened cable with XLR input and output connectors. Up to 32 fixtures can be connected on a serial DMX link. Please refer to the diagram below.



7. DMX-512 CONNECTION WITH DMX TERMINATION

For installations where the DMX cable has to run over a long distance or is in an electrically noisy environment, such as in a discotheque, it is recommended to use a DMX terminator. This helps in preventing corruption of the digital control signal caused by electrical noise. The DMX terminator is an XLR plug with a $120\ \Omega$ 0.25 Watt resistor connected between pins 2 and 3, which is then plugged into the output (female) XLR socket of the last fixture in the chain.

Please see illustrations below.



Note: If the link is divided into branches using a DMX splitter, terminate each branch of the link.

8. DEVICE DMX START ADDRESS SELECTION

All fixtures should be given a DMX starting address when using a DMX signal, so that the correct fixture responds to the correct control signals. This digital starting address is the channel number from which the fixture starts to "listen" to the digital control information sent out from the DMX controller. The allocation of this starting address is achieved by setting the correct address number on the display located on the base of the device.

You can set the same starting address for all fixtures or a group of fixtures, or set different addresses for each fixture individually. If you set the same address on all devices, all the devices will start to "listen to" the same control signal from the same channel number. In other words, changing the settings of one channel will affect all the fixtures simultaneously.

If you set a different address, each unit will start to "listen to" the channel number you have set, based on the quantity of control channels of the unit. That means changing the settings of one channel will affect only the selected device.

In the case of the LED moving head, in 50 channel mode, you should set the starting address of the first unit to 1, the second unit to 51 (50 + 1), the third unit to 101 (50 + 51), and so on.

9. OPERATING INSTRUCTIONS OF THE INTERNAL DMX WIRELESS SYSTEM

9.1 › EQUIPMENTS

This product is equipped with a Lumen radio Timo DMX receiver

9.2 › MESSAGE FROM THE LED INDICATOR

- Solid Green: Logged on to a transmitter and actively receiving DMX data.
- Solid Red: Not logged on to any transmitter (available) or not receiving DMX data.

9.3 › WDMX IN THE MENU OF THE FIXTURE

In the sub menu Wireless DMX, you'll find the option "Rest WDMX." Selecting this will disconnect the fixture from its current transmitter.

9.4 › SET UP THE WIRELESS SYSTEM

To connect the fixture to a transmitter, the transmitter must be in pairing mode.

You can activate this mode by selecting "Rest WDMX" from the fixture's menu or by performing a factory reset on the fixture.

Once the transmitter is ready, press its pairing button to link the devices.

Important Notes:

- After each job, please log out all receivers from the transmitter. This ensures the receivers return to an unassigned state and are ready for future pairings.
- Do not connect a fixture that is wirelessly linked to a transmitter

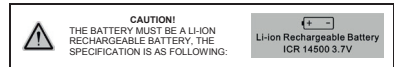
to a DMX controller via cable. Doing so may cause signal interference

10. DISPLAY

- The Display offers Jog Wheel features: you can set the starting address run the pre-programmed program or reset the device.
- The main menu is accessed by double clicking Jog Wheel.
- Browse through the menu by turning Jog Wheel clockwise or counterclockwise.
- Double clicking in order to select the desired menu or long pressing to exit menu, double click the Jog wheel for confirm. After accessing the edit mode, the unit will automatically exit to the main menu after 15 seconds from the last button press. Clockwise is positive direction while counterclockwise is opposite direction.
- When the unit is powered on if no data signal is connected after 1 minute then the display will switch off automatically.
- The Display does not need external power to operate in case there is battery, hold down the Jog Wheel for 6 seconds and the Display will turn on by using the unit's battery.

PS:

- No response when quick press the Jog Wheel.



- To install the battery for the first time, please make sure the unit is not connected to AC power. Install the battery in the battery holder, then remove the battery and install it back .
- This procedure must be done only for the first battery installation .

DEFAULT SETTINGS SHADED - V131

Address		
Main	DMX Address: xxx Decimal Universe: :xxxx Net: xx Sub-Net: xx Universe: x Signal: <u>DMX</u> /WDMX/Art-Net/sACN	DMX Address Decimal Universe Net Sub-Net Universe Dmx/WDmx/Artnet/sACN
Effect	FollowMain DMX Address: xxx Decimal Universe: :xxxx Net: xx Sub-Net: x Universe: x Signal: <u>DMX</u> /WDMX/Art-Net/sACN	<input checked="" type="checkbox"/> OFF DMX Address Decimal Universe Net Sub-Net Universe <u>DMX</u> /WDMx/Artnet/sACN
Pwr LED pix	FollowMain DMX Address: xxx Decimal Universe: :xxxx Net: xx Sub-Net: x Universe: x Signal: <u>DMX</u> /WDMX/Art-Net/sACN	<input checked="" type="checkbox"/> OFF DMX Address Decimal Universe Net Sub-Net Universe <u>DMX</u> /WDMx/Artnet/sACN
Liquid Effect	Decimal Universe: :xxxx Net: xx Sub-Net: x Universe: x Signal: <u>Art-Net</u> /sACN	Decimal Universe Net Sub-Net Universe <u>Artnet</u> /sACN
Mode		
User Mode	Stand Mode Basic Mode Extend Ring <u>Extend Pixel</u>	User's mode to change channel numbers

Options			
Status	No DMX Mode	Close/Hold/Auto	Auto run if no DMX
	Pan Reverse	ON/OFF	Pan Reverse movement
	Tilt Reverse	ON/OFF	Tilt Reverse movement
	Pan Degree	630/540/360SC	Pan Degree Select
	Tilt Degree	270/540/360SC	Tilt Degree Select
	Feedback	ON/OFF	Movement Feedback
	Init PAN	ON/OFF	Init PAN
	Init TILT	ON/OFF	Init TILT
	Pan/Tilt Spd	Fast/Medium/Slow/Tracking360	Movement Speed
	Hibernation	OFF, 01M-99M, OFF	Stand by Mode
DMX Output	ON/OFF	DMX Output	
Service PIN	Service PIN	Password = XXX	Service Password *-050*
	RDM UID	Xxxxxx	RDM
	Set IP	xxx.xxx.xxx.xxx	Set IP
	Set Mask	xxx.xxx.xxx.xxx	Set Mask IP
	Reset From Mac	ON/OFF	Reset From Mac
	DHCP	ON/OFF	DHCP
	Cross Load SW	ON/OFF	Cross Load SW
	USB Update	ON/OFF	USB
	Clr Error Info	ON/OFF	Clr LED Timer
	Set LED BIN	CL...	LED BIN
Options			
Fans Control	Fans Speed	Auto Stage Silence Super Silence	Fans Speed select
	Constant Fans	ON/OFF	Constant Fans
Disp.Setting	Shutoff Time	02-60m 05m	Display shutoff time
	Flip Display	ON/OFF	Reverse 180 degree
	Key Lock	ON/OFF	Key Lock
	DispFlash	ON/OFF	DispFlash
Temp. C/F	Celsius		Temperature switch
	Fahrenheit		between °C / °F
Initial Pos.	PAN =XXX		Initial effect position
Dim Curve	Square Law Linear		
Refresh Select	12K		Refresh Select
	2.4K		
	16K		
	25K		
	25K		
Tungsten Lamp	OFF		Tungsten Lamp
	500W		
	1000W		
	2500W		
	5000W		
	5000W		
Trigger	DMX Value Disp.	PAN....	DMX Value Disp.
	Auto Program	Leader/Alone	Auto Program
Reset Default	ON/OFF		Restore factory set.
Reset Options	ON/OFF		Reset Options
Reset User	Address	... the same as menu Address below	DMX address setting
	Mode	Stand Mode Basic Mode Extend Ring Extend Pixel	User's mode to change channel numbers
	Fans Speed	Auto Stage Silence Super Silence	Fans Speed select
	Constant Fans	ON/OFF	Constant Fans

Info		
Time Info.	Current Time	XXXX(Hours)
	Ttl Life Hrs	XXXX(Hours)
	Last Run Hrs	XXXX(Hours)
	LED Hours	XXXX(Hours)
	Current SW Hrs	XXXX(Hours)
	Timer PIN	Password = XXX
	Clr Last Run	ON/OFF
Temp. Info.	xxx° C/ ° F	xxx° C/° F
Fan Info.	xxxx RPM	Fan information
Software Ver	V1.0....	Software version
Network	IP, Mask, Mac	Network
Error Info.	Error Record 1	Error Info.
SN	xxxx...	SN
Test		
Home	All	All
	Pan&Tilt	Pan&Tilt
	Zoom	Zoom
Test		
Test Channel	PAN	Test function
Manual Ctrl.	PAN = XXX	Fine adjustment of the lamp
Calibration	-Password- PAN	Password "050" Calibrate and adjust the effects to standard/right position
Preset		
Select Prog.	Prog. Part 1 = Program 1 ~ 10 Program 1 Prog. Part 2 = Program 1 ~ 10 Program 2 Prog. Part 3 = Program 1 ~ 10 Program 3	Select programs to be run
Edit Prog.	Program 1 Program 10	Program Test Step 01=SCxxx Step 64=SCxxx
Edit Scenes	Edit Scene 001 ~ Edit Scene 250	Pan,Tilt.... --Fade Time-- --Scene Time-- Input By Outside
Scenes Input	XX-XX	Scenes Input

10.1 > ADDRESS

10.1.1. Address

With this function, you can adjust the DMX address, the Universe and the selection of the control signal.

10.1.2. Effect

With this function, you can adjust the DMX address, the Universe and the selection of the control signal.

10.1.3. Pwr LED pix

With this function, you can adjust the DMX address, the Universe and the selection of the control signal.

10.1.4. Liquid Effect

With this function, you can adjust the DMX address, the Universe and the selection of the control signal.

10.2 > MODE

10.2.1. User Mode

With this function, you can choose user defined channel orders.

10.3 › OPTIONS

10.3.1. Status

No DMX Status

With this function, you can choose the unit behavior in case no signal is detected between Close (all dmx value to 0), Hold (keep the last dmx value), and Auto (start auto mode).

Pan Reverse

With this function you can reverse the Pan-movement.

Tilt Reverse

With this function, you can reverse the Tilt-movement.

Pan Degree

With this function, you can select the total Pan degree range between 630, 540 or 360SC.

Tilt Degree

With this function, you can select the total Tilt degree range between 270, 540 or 360SC.

360SC

This mode limits the total range of movement (pan or tilt) to a maximum of 360°. Since the fixture supports continuous rotation, it automatically selects the shortcut (SC) or fastest path between two position commands. For example, if transitioning from a pan position of 359° to 4°, the fixture will take the direct route, preventing unnecessary flips or spinouts

Feedback

This function allows you to activate or deactivate the automatic repositioning of the Pan & Tilt in case of an accidental/manual move of the yoke.

Init PAN

This function allows you to deactivate the Pan movement.

Init TILT

This function allows you to deactivate the Tilt movement.

Pan/Tilt Spd

With this function, you can select Pan & Tilt speed from "Fast", "Medium", "Slow", "FS Mode", "Tracking 360".

- Tracking 360 Mode
 - Visual Feedback – When activated, the fixture will pan 90 degrees from its normal position to indicate the mode is enabled.
 - Pan & Tilt Adjustments – In this mode, the pan range is limited to 360 degrees with a shortcut (-180° to +180°) for smoother control. The tilt range remains unchanged. Make sure the correct tilt setting is selected (default is 270°, with an option for "540°").
 - Enhanced Responsiveness – Acceleration and deceleration are optimised for quicker, more precise tracking performance.
- FS Mode
 - Enhanced Responsiveness – Acceleration and deceleration are highly reactive to improve tracking performance.

Hibernation

The device and stepper motors will be powered off if the unit stays without DMX signal for the User defined times (in Minutes). The fixture will perform a reset sequence once DMX is back.

DMX Output

With this function, the unit can transmit the signal received via WDMX or ArtNet/sACN through the DMX output.

Encoder select

This option allows you to choose the encoder for unit positioning (pan and tilt):

- Magnetic Encoder: Uses an Absolute encoder for faster resets, eliminating the need for a full reset spin.
- Photoelectric Encoder: Utilises a light sensor and optical encoder, requiring an end-stop rotation for calibration, resulting in a slower reset.

10.3.2. Service PIN

Password

The Password for this function is "050".

RDM UID

With this function, you can display the RDM UID of the Unit.

Set IP

This function allows you to set the IP of the Unit.

Set Mask

This function allows you to set the IP Mask of the Unit.

Reset From Mac

This function allows the Unit to take its IP automatically using its Mac address.

DHCP

This function allows you to enable or disable the DHCP

Cross Load SW

This function allows you to upload the current SW version to other units using a DMX connection. Do not disconnect the units before the process is complete.

USB Update

This function allows you to update the fixture using a usb key connected to the back panel USB Connector.

Clr LED Timer

This function allows you to clear the error info list.

Clr Error Info

This function allows you to clear the error info list.

Set LED BIN

This function allows you to set the LED BIN of the LED Board.

10.3.3. Fans Control

Fans Speed

With this function, you can set the fans speed. Settings are Auto, Stage, Silence, and Super Silence.

- Auto: The LED module delivers **high** output and the fans ramp up and down depending on the ambient temperature and the temperature of the LED module itself.
 - Stage: The LED module delivers **full** output and the fans remain at full speed regardless of the temperature of the LED module.
 - Silence: The LED module is limited to **medium** output and the fans rotate at a slower speed.
 - Super Silence: The LED module is limited to a **lower** output and the fans rotate at the slowest speed.
- For specific output details, refer to photometry document.

Constant Fans

Enables you to set the fans to run continuously, even when the LED is off.

10.3.4. Disp. Setting

Shut off Time

With this function, you can select the delay before the LCD display turns off. Choose between 2 to 60 minutes. The default is 5 minutes.

Flip Display

With this function you can rotate the display by 180° (when the unit is rigged)

Key Lock

With this function you can activate the automatic key lock function. If this function is activated, the keys will be locked automatically after exiting the edit mode for 15 seconds. Keeping press the <MODE/ESC> key for 3 seconds if you do not need this function.

DispFlash

With this function activated, display will flash if no signal is detected.

10.3.5 Temperature C/F

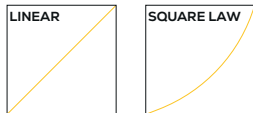
With this function you can display the temperature in Celsius or Fahrenheit.

10.3.6. Initial Pos.

With this function you can display initial effect position.

10.3.7. Dim Curve

With this function you can select the Dimmer Curve.



10.3.8. Refresh Select

With this function you can select the PWM rate.

- 1.2K & 2.4: provides superior dimming quality, especially for smooth fadeouts at lower levels
- 16K & 25K: are ideal for broadcast use

10.3.9. Tungsten Lamp

Provides a selection of tungsten emulation modes to replicate traditional lamp behavior. Available options: OFF, 500 W, 1000 W, 2500 W, and 5000 W. This affects dimming only, not colour shift.

10.3.10. Trigger

DMX Value Disp.

With this function you can display the DMX 512 value of each channel. The display automatically shows the channel with a value changing.

Set to Alone

With this function, you can define the device as Alone.

Auto Program

With this function, you can run the internal program. You can select the desired program under "Select program". You can set the number of steps under "Edit program". You can edit the individual scenes under "Edit scenes". With this function, you can run the individual scenes either automatically, i.e. with the adjusted Step-Time.

10.3.11. Reset Default

With this function, you can select restore factory set for ON or OFF. the default is OFF.

10.3.12. Reset Options

This function restores only the altered options settings (highlighted values in the chart above) to their default state.

10.3.13. Reset User

With this function, you can define the following "restore user" values:

- Address
- Mode
- Fans Speed
- Constant Fans

10.4 > INFO

10.4.1. Time Info.

Current Time

With this function, you can display the temporary running time of the device from the last power on. The display shows "XXXX". "XXXX" stands for the number of hours. The counter is reset after turning the device off.

Ttl Life Hrs

With this function, you can display the running time of the device. The display shows "XXXX". "XXXX" stands for the number of hours.

Last Run Hrs

With this function, you can display last the running time of the device. The display shows "XXXX". "XXXX" stands for the number of hours.

LED Hours

With this function, you can display the time of LED. The display shows "XXXX". "XXXX" stands for the time of LED.

Current SW Hrs

With this function, you can read the software running time of the device. The display shows "XXXX". "XXXX" stands for the number of hours.

Timer PIN

With this function, you can display the timer password.

Clr Last Run

With this function, you can clear last run time of the fixture. The display shows "ON" or "OFF". Press "Enter" to confirm.

10.4.2. Temp.Info

With this function you can display the different temperature of the fixture.

- L: Light engine
- B: Base
- H: Head

10.4.3. Fan Info.

With this function, you can display all the fan speed values available in the unit.

10.4.4. Software Ver

With this function, you can display the software version of the device.

10.4.5. Network

With this function, you can display the Network information.

10.4.6. Error Info

With this function, you can Read the error record of the Unit.

10.5 > TEST

10.5.1. Home

With this function you can reset the device. You can select which functions you want to reset by using the submenu.

10.5.2. Test Channel

With this function you can test each channel's function to ensure correct operation.

10.5.3. Manual Control

Allows you to manually control each feature of the unit

10.5.4. Calibration

With this function, you can calibrate and adjust the effect wheels to their correct positions. The password of calibrate values is 050.

10.6 > PRESET

Run the auto program: A main fixture can output to three different program signals to the follow fixture to operate. It means the host will send cyclically in the following orders (The host will keep operating the program of Part 1). Then the follow fixture will make the selectively receiving according to its own set.



- If the follow fixture chooses Run For Follow 1 from the menu of 1-3, then it will receive the part 1's automatic program from link, in the same way, when the follow fixture chooses Run For Follow 2, then it will receive the part 2's automatic program from link.

- Enter the menu of 1-3 Function Mode---Set To Follow. Here to set machine operate which part of the program during the host-follower connection
- Enter the menu of 1-4, 1-5 Function Mode---Set To Main
- Enter the menu of 8-1 Edit Program---Auto Program Part1. The host outputs three groups driven program---Part1, Part2, Part3 (Part1 program runs the same effect as the host)
- Enter the menu of 8-2 Edit Program---Edit Program. Edit the program's connection, connect the scene in order
- The editor of the scene, there are as many as 250 scenario editors, and every scene can have a program connection of 10.

Note:

Part 2, Part 3 repeat in accordance with the Part1's repeat. For example: When Part 1 uses Program 2, Part 2 uses Program 4, Part 3 uses Program 6, Assume:Program 2 includes scene of 10, 11, 12, 13, Program 4 includes scene of 8, 9, 10; Program 6 includes scene of 12, 13, 14, 15. Then it will run as below.

Example:**Part 1:****Part 2:****Part 3:****10.7 > SHORTCUT MENU**

To access the shortcut menu, press on 'A' for 2 seconds. Once 'Flip Display' is displayed, you can select the wanted shortcut from the list below by using the up and down arrows

10.7.1. Flip display

With this function you can rotate the display by 180° (when the unit is rigged).

10.7.2. Restore Factory

With this function, you can restore default setting (highlighted value in the above chart).

10.7.3. Restore User

With this function, you can restore User settings (Setting can be edit under Options/Reset User Set).

10.7.4. Rst DMX addr 1

With this function you can only set the address to 1.

10.7.5. Unlink WDMX

This function allows you to disconnect the fixture from its current WDMX transmitter.

11. NFC

When the fixture is powered on, you can use a NFC smartphone installed with the Ayrton App to scan the NFC tag area of the fixture to read some of the information or settings inside the display menu, such as product name, software version, UID, DMX Start Address, Universe, User Mode, Options, Information, etc. You can also change some of the settings and push to write inside the fixture menu.

When the fixture is not powered on, you can still use the App to read the NFC info and write the settings into the NFC tag, the written data will be automatically synchronized into the fixture menu at next time the fixture is powered on.

Link to download the application: <https://qrstud.io/ayrtonnfc>

Note:

- Before using, make sure there is NFC function on your smartphone and it is activated, Download and install the Ayrton App;
- The NFC tag on the fixture is right under the LCD window;
- The NFC reader area vary on different smartphones, identify the correct area on your smartphone before scanning the NFC tag on the fixture;
- When scanning, make sure the NFC reader area of your smartphone close enough to the LCD window and hold still the smartphone for 3 seconds until reading successfully.

12. DMX PROTOCOL

Scan the QR code on the cover page to download the DMX CHART.

13. ERROR MESSAGES

When you turn on the device, it will first perform a reset. The display may show "Err channel is XX" should there be problems with one or more functions. "XX" stands for channel 1, 2, 3, 4, 5, 6 etc whose sensor has encountered a problem. For example, when the display shows "Err channel is Pan movement", it means there is an error on channel 1. If there are errors on channel 1, channel 3, channel 8 at the same time, you may see the error message, "Err channel is Pan movement"; "Err channel is Tilt movement"; "Err channel is Shutter", flash twice, and then the device will generate a second reset. If the error messages persist after performing a reset more than twice, the channels which have errors may not work properly however, all other functions can work as usual. Please contact your dealer or manufacturer for service. Self repair is not allowed.

PAN- movement Er

(PAN- yoke movement error) This message will appear after the reset of the fixture if the yoke's magnetic-indexing circuit malfunction (Optical Sensor or Magnetic Sensor fails) or the stepper motor is defective (or its driving IC on the main PCB). The PAN-movement is not located in the default position after the reset.

TILT- movement Er

(TILT- head movement error) This message will appear after the reset of the fixture if the head's magnetic-indexing circuit malfunctions ((Optical Sensor or Magnetic Sensor fails)) or the stepper motor is defective (or its driving IC on the main PCB). The TILT-movement is not located in the default position after the reset.

Zoom wheel Er

(Zoom wheel error) This message will appear after the reset of the fixture if the head's magnetic-indexing circuit malfunctions (Optical Sensor or Magnetic Sensor fails) or the stepper motor is defective (or its driving IC on the main PCB). The Zoom -movement is not located in the default position after the reset.

14. CLEANING AND MAINTENANCE

The following points have to be considered during inspection:

- All screws for installing the devices or parts of the device have to be tightly connected and must not be corroded.
- There must not be any deformations to the housing, lenses, rigging and installation points (ceiling, suspension, trussing).
- Motorized parts must not show any signs of wear and must move smoothly without issue.
- The power supply cables must not show any damage, material fatigue or sediment.

Further instructions depending on the installation location and usage have to be adhered to by a qualified installer and any safety concerns have to be removed.

CAUTION

Disconnect from mains before starting maintenance operation

In order to ensure the device remains in good condition and does not fail prematurely, we suggest regular maintenance.

- Clean the inside and outside lens each week to avoid loss of output due to accumulation of dust/ dirt on the lens.
- Clean the fans each week to ensure maximum airflow and efficient thermal cooling. This will ensure the light source is operated in the best possible condition.
- A detailed electrical check by an approved electrician every quarter to make sure that the circuit contacts are in good condition. This will prevent poor circuit contacts and the resultant overheating.

We recommend frequent cleaning of the device. Please use a moist, lint-free cloth. Never use alcohol or solvents.

Please refer to the instructions under "Installation instructions". Should you need any spare parts, please order genuine parts from your local dealer.



AYRTON

Digital Lighting

